
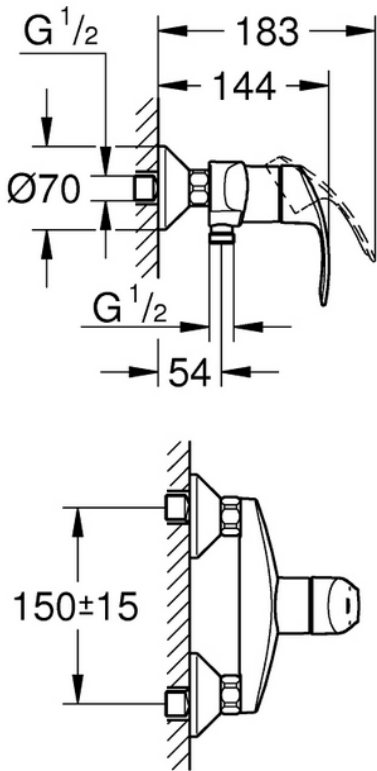





PROJECT		REF		REV	ITEM CODE	
LOCATION		DATE			PAGE	

SANITARY WARE SPECIFICATION SHEET

Item Descriptions	GROHE (Germany) "Eurosmart" Single-lever shower mixer	Illustration/ Drawing
Dimensions	L183 x W150 x H70 mm	 
Model	33555002	
Finish / Material	Chrome Plated	
Country of origin	Thailand	
Manufacturer	GROHE Limited	
Supplier	Acme Sanitary Ware Co. Ltd Mr. Eric Wong/ Mr. Don Yuen	
Contact Tel/Fax	(852) 2388-7171 / (852) 2710-8012	
E-mail	acme@acmesanitary.com.hk	
Website	www.acmesanitary.com.hk	
<p>"Eurosmart" Single-lever shower mixer 1/2 "</p> <ul style="list-style-type: none"> · wall mounted · metal lever · GROHE SilkMove 35 mm ceramic cartridge · with temperature limiter · GROHE StarLight chrome finish · adjustable flow rate limiter · shower bottom outlet 1/2" with integrated non return-valve · S-unions · metal wall escutcheons · protected against backflow 		
		

Note: [YouTube \(Unboxing 33555002\) https://www.youtube.com/watch?v=ynOjcNejyks](https://www.youtube.com/watch?v=ynOjcNejyks)

* All information of the above is for the reference only. No prior notice is made if any changes.



PROJECT		REF		REV	ITEM CODE	
LOCATION		DATE			PAGE	

SANITARY WARE SPECIFICATION SHEET

GROHE EUROSMART

GROHE'S NUMBER 1 IN PREMIUM PERFORMANCE

For almost 2 decades, its legendary quality has made the GROHE's Eurosmart range the obvious choice for planners, architects and plumbers. Making it the number 1 worldwide with over 30 million sold. With its wide range of designs and functionalities, its long-lasting GROHE SilkMove Technology and German engineering know-how, Eurosmart is valued for every kind of project – bath, kitchen, commercial, large-scale or small. Eurosmart: always a first class choice since 1999.



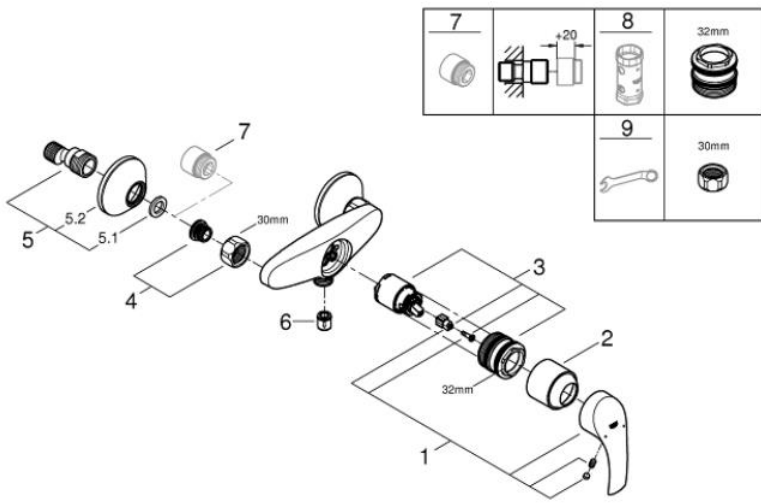
GROHE SilkMove cartridge technology for smooth handling

This premium tap comes with a continuously variable water temperature and volume adjustment technology, ensuring effortless lever operation even after years of use.



Easy to clean thanks to the GROHE StarLight chrome coating

Just wipe the tap down with a dry cloth – the ultra smooth surface finish is scratch resistant and ensures a lasting luminous sheen. You'll save plenty of time cleaning while your tap always looks shiny and new.



Pos.-nr.	Prod. description	Order-nr.
1	Lever	46898000
2	Cap	46899000
3	Cartridge	46374000
4	Screw connection 1/2"	45044000
5	S-union	12075000
6	non-return valves	48276000
7	Extension 3/4", 20 mm	0713000M*
8	Socket spanner	19332000*
9	Special spanner	19377000*

* Optional accessories

Note:

* All information of the above is for the reference only. No prior notice is made if any changes.



Waterworks Department

入境事務大樓 48 樓
Lower, 7 Gloucester Road, Wan Chai, Hong Kong

本署檔號 : (2) in WSD 3321/2021 T/J(1681/2021)
Our ref.
來函檔號 :
Your ref.

電話 :
Tel.
傳真 : 2824 0578
Fax.

15 December 2021



Approval of "GROHE" Shower Mixer (General Acceptance No. C20211396)

Your letter ref. WRC/2693 dated 16 November 2021 refers.

Having considered the test report ref. J26612 issued on 9 November 2021 by Nutek Systems (HK) Ltd., this Authority accepts that the fitting described below complies with, and its use when correctly installed does not contravene, the Waterworks Ordinance and Regulations.

Name of Manufacturer: Grohe AG
Country of Origin: Thailand
Brand: Grohe
Details of Fitting: 1/2" Single lever shower mixer
Model: 33555XX2
(where "XX" denote the code of colour)
Body Markings: 
Expiry Date: 24 May 2026

This Authority hereby permits the use of the above fitting in fresh water plumbing systems subject to full adherence to Waterworks installation requirements. In particular, you are required to draw your customers' attention to the following requirement-

"The cold water supply to the fitting shall be drawn from the same source that supplies the hot water apparatus so as to provide a balanced pressure and to obviate the risk of scalding in the event of a restriction or failure in the water supply." AND

"The shower head or handspray should not be placed in submerged conditions and should be securely fixed to the original position after use."

A condition of this acceptance is that the fitting to be installed shall be replicas of the sample as certified by the testing agent mentioned above and without modifications. This acceptance may be withdrawn at any time if the standard of the fitting installed fails to meet that of the approved sample or if the fitting is found to be unsuitable for use in fresh water plumbing systems.

This acceptance is only applicable to the main body of the fitting, unless otherwise specified.

For the use of the fitting in any project, the General Acceptance Number of this letter must be quoted as a means of identification of acceptance of the fitting by this Authority.

Should you have any enquiries, please contact our Engineer Ms Winnie LO at tel. no. 3583 4086.

Yours faithfully,



(Roger WONG)
for Director of Water Supplies

Encl.

c.c. WSD 3321/1/82] - without catalogue
 ME/MC] - with soft copy only